



## SMX SERIES

### SMX BLENDER TURBO

Ref : MX125T



## DESCRIPTION

- Time saving, up to 3 times faster than with a standard blade.
- Fully removable foot for perfect hygiene.
- Stainless steel triangular hammer, titanium plated.
- Stainless steel tube and bell.
- No blade, no risk of cutting.
- Weight adapted for working confort.
- Complies with HACCP recommendations.

### ACCESSORIES



Included : Mixer hook support.



Option : Supports bracket.



## USE

The SMX 300 CC is a powerful and handy mixer which pulverizes 75 to 300 liters of cooked vegetables in a few minutes. Indispensable for big quantities of soups, veloutés, sauces, chopped vegetables ...

Its constant speed allows to produce fine and delicate mixtures.

**Capacity : 40 to 200 L.**



## MAINTENANCE

Rinse the bottom of the foot under water. Beware of splashing that could penetrate through the engine's ventilation slots and damage it.

For more efficient cleaning, immerse the mixer foot into a pot containing clear water and switch the appliance on for a few seconds.

**Never clean this machine with water jet spray.**

Wash the motor block with a sponge or with a slightly damp cloth.



### TECHNICAL DATA

OUTPUT MAX	1000 W
SPEED	11 000 R.P.M.
VOLTAGE	110-120 V or 220-240 V
TOTAL LENGTH	860 mm
SHAFT LENGTH	580 mm
DIAMETER	125 mm
ACTUAL WEIGHT	6,7 kg

[www.dynamicmixers.com](http://www.dynamicmixers.com)

Dynamic - 518 rue Léo Baekeland BP57 - 85290 Mortagne sur Sèvre

Tel : +33 (0)2 51 63 02 72 • E-mail : [export@dynamicmixers.com](mailto:export@dynamicmixers.com)

Follow us on social networks!

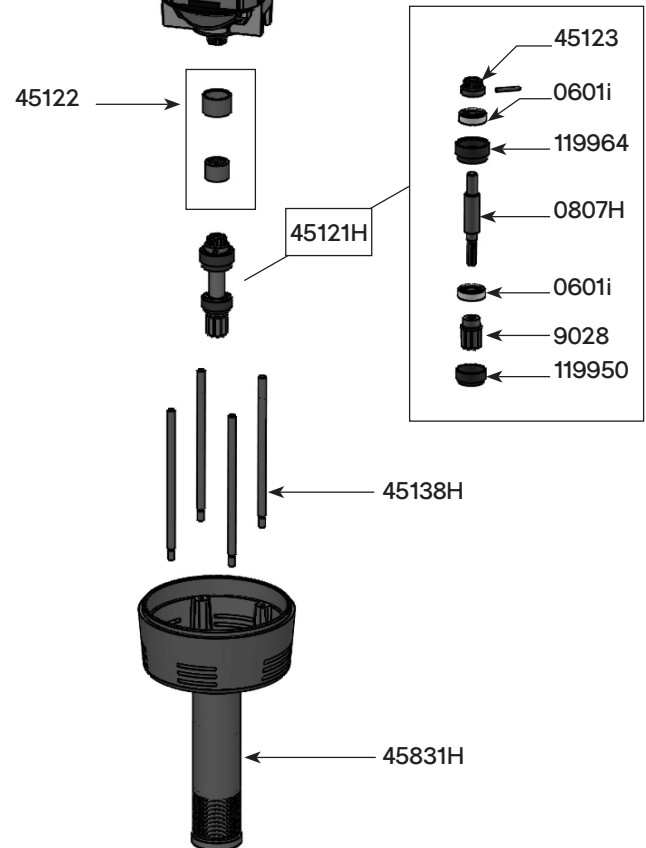
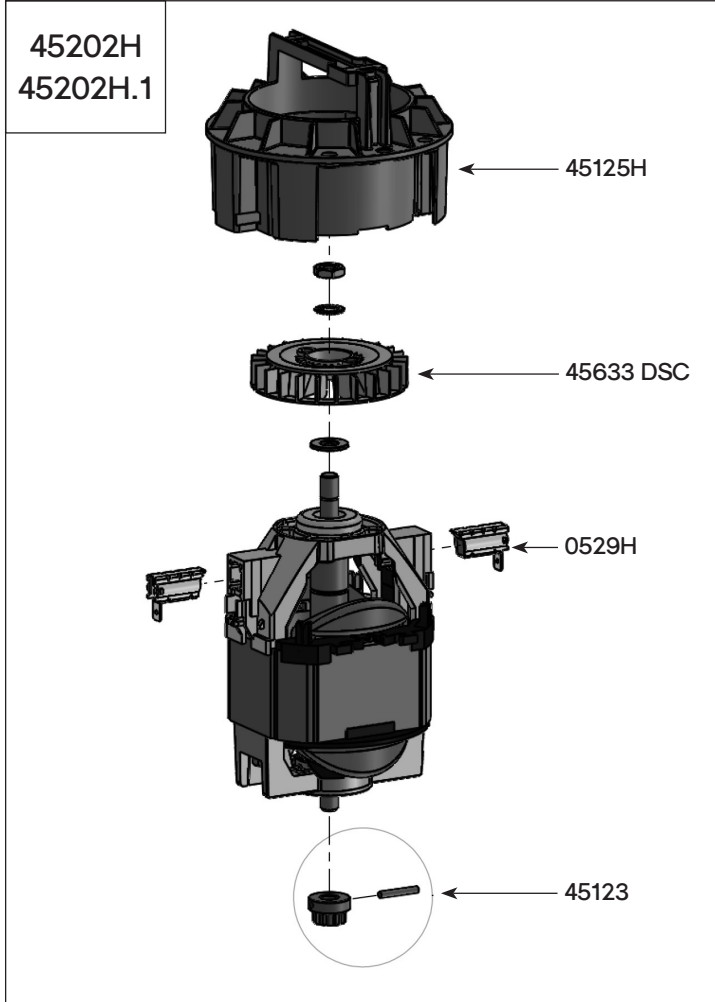
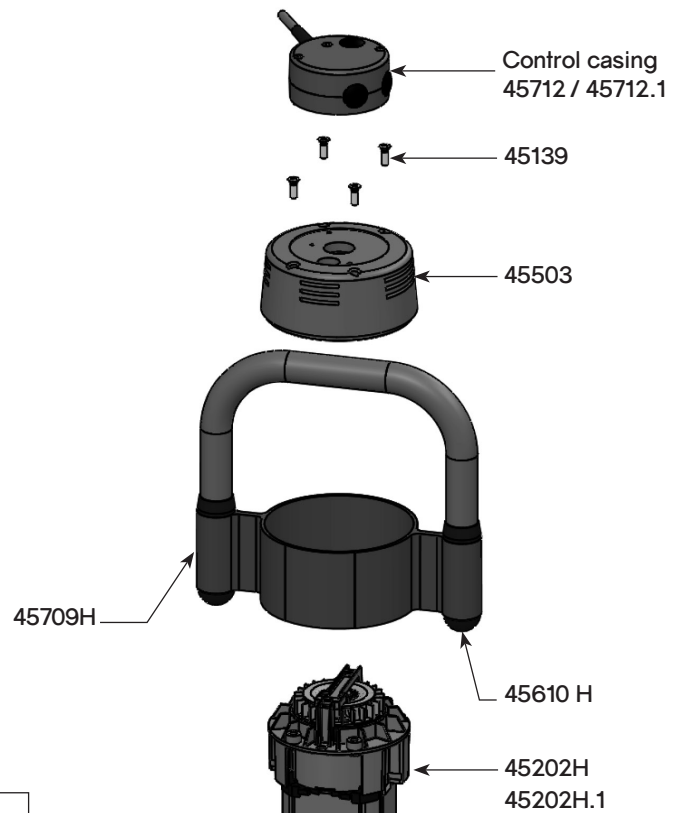


# TECHNICAL SHEET

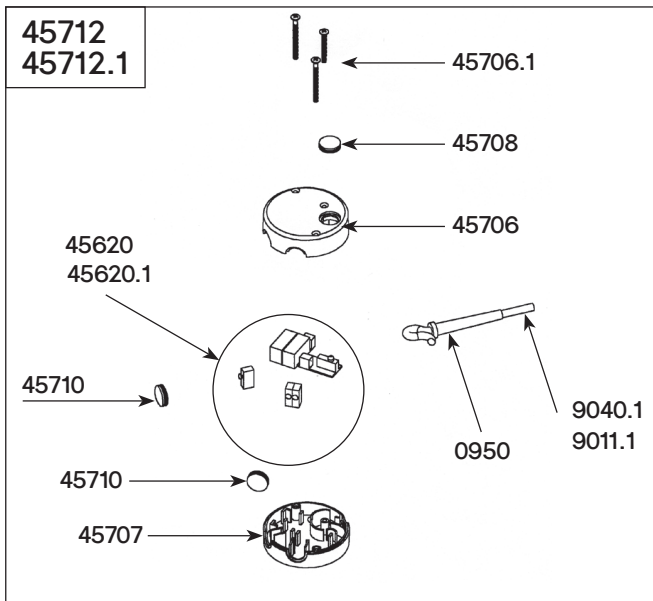
## Parts list

## Code

Carbon brushes (pair)	0529H
Ball bearing	0601i
Equipped output axle	0807H
Ball bearing ring	119950
Ball bearing ring	119964
Output shaft	45121H
Coupling sleeves	45122
Motor & shaft drive sprocket	45123
Fan housing Plastic	45125H
Braces (4)	45138H
Brace screws (4)	45139
Motor 220-240 V	45202H
Motor 110-120 V	45202H.1
Top housing	45503
Handle cap (2)	45610H
Plastic Fan	45633DSC
Sleeve & complete handle & label & cap	45709H
Complete control casing 230V	45712
Complete control casing 115V	45712.1
Lower housing	45831H

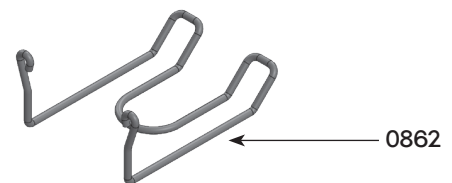
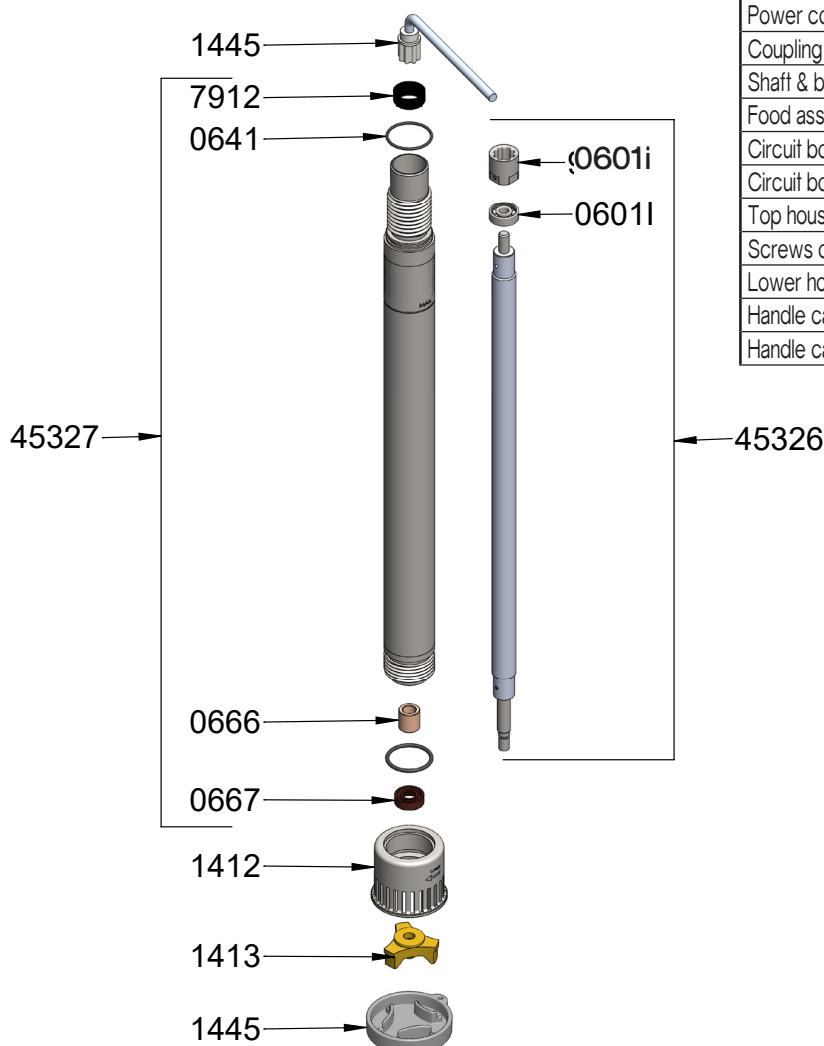


# TECHNICAL SHEET



## BLENDER SMX TURBO Attachment - Ref AC072T (Complete Attachment)

Parts list	Code
Ball bearing	0601i
Toric seal	0641
Self-lubricating ring	0666
Waterproof seal	0667
Wall bracket	0862
Strain relief 230 V	0950
BLENDER SMX Bell	1412
BLENDER SMX Cutter	1413
Dismounting tool	1445
Ball bearing ring	7912
Power cord 230 V	9011.1
Motor & shaft drive sprocket	9028
Power cord 115 V	9040.1
Coupling casing + pin	9051H
Shaft & bearing	45326
Food assembly	45327
Circuit board 230 V	45620
Circuit board 115 V	45620.1
Top housing (orange plastic piece)	45706
Screws control case set	45706.1
Lower housing (orange plastic piece)	45707
Handle cap protector (unit)	45708
Handle cap protector (1)	45710



SM 4/6/8/10/12 MIXER SUPPORTS

Parts list	Code
Tightening knob	0701
Tightening knob	0707
White knob (x2)	0728
Plastic caps	45610
Plastic holder for tube	45900
SENIOR plastic holder for tube	45900.S
Orange half moon + screws + washer	45900.1
SENIOR orange half moon + screws + washer + block	45900.2
60 mm width bracket	45901
20 mm width bracket	45902
Exterior stop (x2)	45610.S

